

TEXANEX11 Zone 1 Luminaire

Product description

The TEXANEX11 is designed and manufactured to the standards required for use in the more exposed areas on board vessels where you need an explosion proof luminaire that is durable, reliable, and safe. The polycarbonate opal diffuser displays brilliant light transmission and heat resistance. Thanks to its strong structure and with four different fastening types, this fitting becomes incredibly versatile for surface, wall, pole, and surface mounting. Its rigid polycarbonate body maximizes life expectancy, holding the light output at an incredibly high level over its 6.5-year life at 24/7 use.

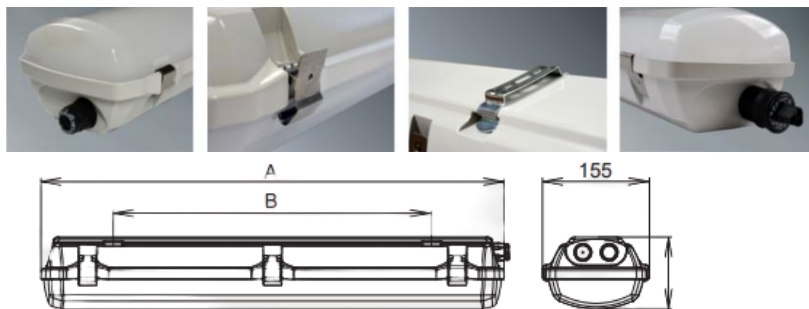
- IP66 Rated and Ex certified
- 5-year warranty
- 4000k colour temperature
- 2,000 – 5,000 lm (depending on variant)



TEXANEX11 Zone 1 LED IP66 Luminaire Specifications:		
Wattage	16W	30W
Voltage/Hz	110-254V, 50/60Hz	
Zone	Zone 1, 21	
Light Colour	4000K	
CR Index	CRI 80+	
Dimensions	670 x 155 x 105	1280 x 155 x 105
Fixing/Mounting	Surface ceiling, wall mounting, pole mounting and suspension mounting by means of fastening brackets, and wire/cable suspenders.	
Construction	Polycarbonate plastic material with an opal cover	
Life (hours)	50000 - 60000	
Warranty	5 years	
Product codes	L5-7740	L5-7745

Suffixes: 'E' for Emergency

Technical Drawing & Images:



Certifications:

[Danger of explosion of flammable dust Zone 21.22 | EN 60079-14, EN 60079-10-2](#)

[Danger of explosion of flammable gases and vapours | EN 60079-14, EN 60079-10-1](#)